

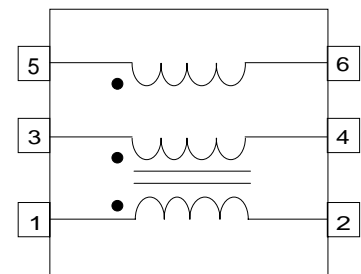
# SCR Trigger & Control Transformer

Turns Ratio ( ± 5 % )	1:1:1
-----------------------	-------

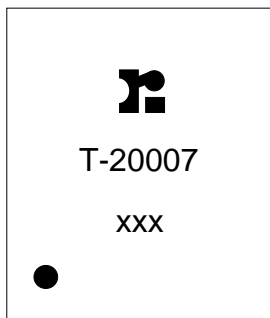
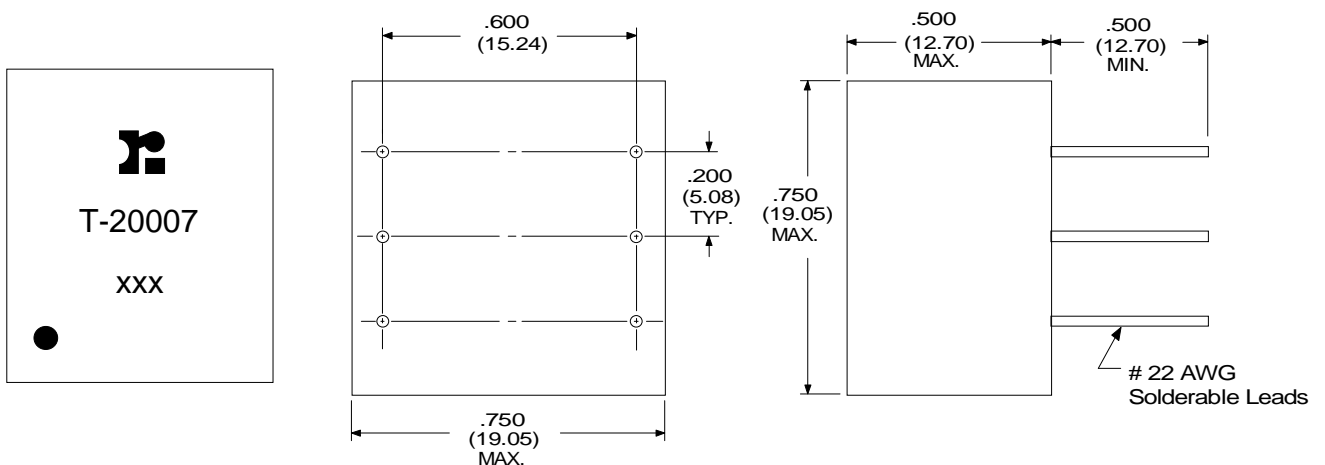
PARAMETER	MIN	MAX	UNITS
Inductance	1.0		mH
Leakage Inductance		12	μH
Capacitance (C <sub>ww</sub> )		36	pF
E-T Product	360		V - μs
Primary DC Resistance		2.8	ohms
Secondary DC Resistance		3.6	ohms
Hi-pot	1600		V <sub>RMS</sub>

**Temperature Characteristics:**  
 ± 15% over -55° C to +55° C  
 & 1 mH min.

Schematic Diagram



## PHYSICAL DIMENSIONS inches (mm)



RHOMBUS P/N: T-20007	
CUST P/N:	NAME:
DATE: 07/22/01	SHEET: 1 of 1